

FIG. A - PLAN VIEW CUT-OUT

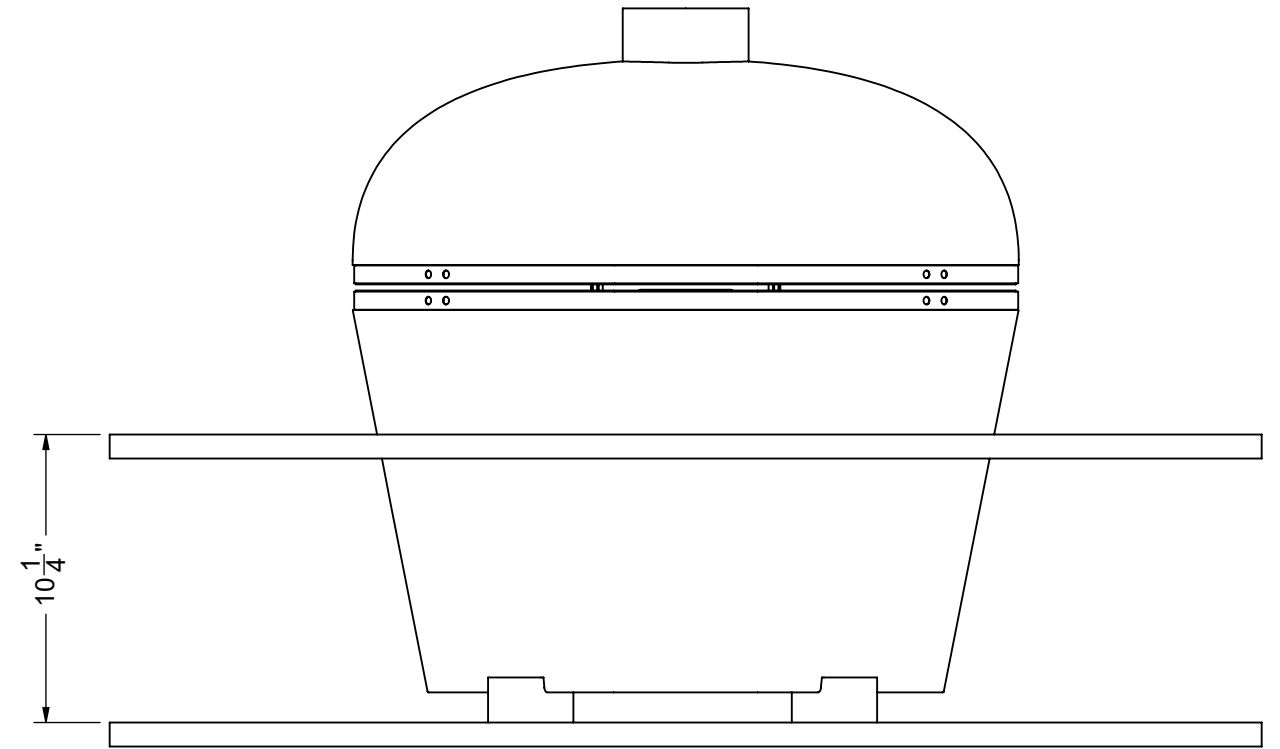


FIG. B - ELEVATION - HT. FROM TOP SURFACE TO SUPPORTING SHELF

					5/4/21	MAX. TOLERANCE UNLESS OTHERWISE SPECIFIED	MAT'L. -	DO NOT SCALE DRAWING	EMPIRE COMFORT SYSTEMS, INC
						FRACTIONS: ±1/64" DECIMALS: ±.015 ROUND HOLE Øs (EXCEPT PORTS): ±.005	DESCRIPTION: CUT-OUT, LG WITH NEW HINGE		
ECO NUMBER	LTR	REVISION		ENG	DRAFT	DATE	USED ON:	SHEET: 2 OF 2	NO. LG CUT-OUT NEW HINGE